



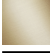






13 672 661



- 282mm projection
- circular normal flow
- total height 811 - 881 mm
- height up to aerator 671 – 741 mm
- slide-on rosettes Ø 135 mm
- max. flow 28.6 l/min at 3 bar flow pressure

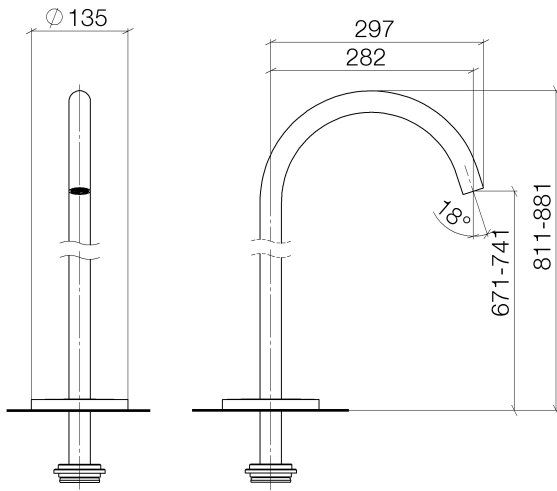
	Chrome	13 672 661-00
	Brushed Platinum	13 672 661-06
	Dark Chrome	13 672 661-19
	Light Gold	13 672 661-26
	Brushed Light Gold	13 672 661-27
	Matte Black	13 672 661-33
	Brushed Bronze	13 672 661-42
	Brushed Chrome	13 672 661-93
	Brushed Dark Platinum	13 672 661-99

Required miscellaneous

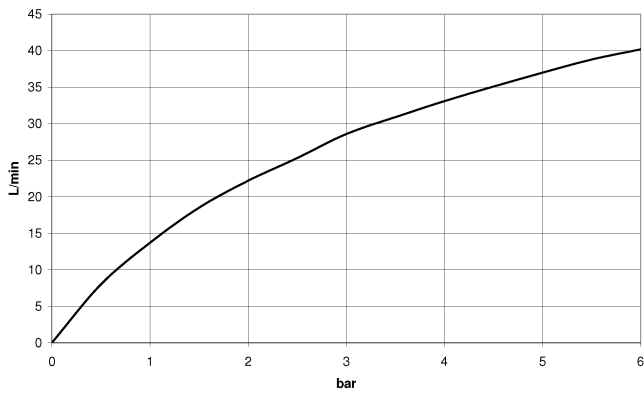


- Concealed floor mounting -** 35 949 970-90
 • max. recess depth 150 mm 0010
 • min. recess depth 80 mm

13 672 661



Flow rate chart



Codes & Standards

ASME
A112.18.1/CSA
B125.1



META Bath spout without diverter for free-standing assembly - Chrome

META

13 672 661

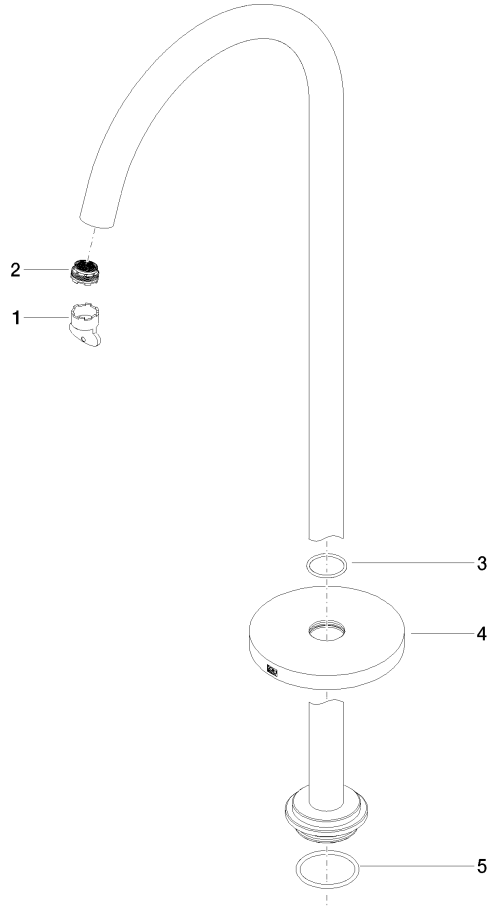
Certificates

IAPMO_4976 (5).

LGA_18272.

WRAS_2001026.

13 672 661



Spare parts list

No.	Item Number	Name	Quantity used	Delivery time
1	04 30 09 027 00 90	key	1	2
2	09 29 03 127 90	aerator	1	60
3	09 14 10 101 90	seal	1	2
4	09 27 85 003-00	rosette	1	10
5	09 14 10 084 90	seal	1	2